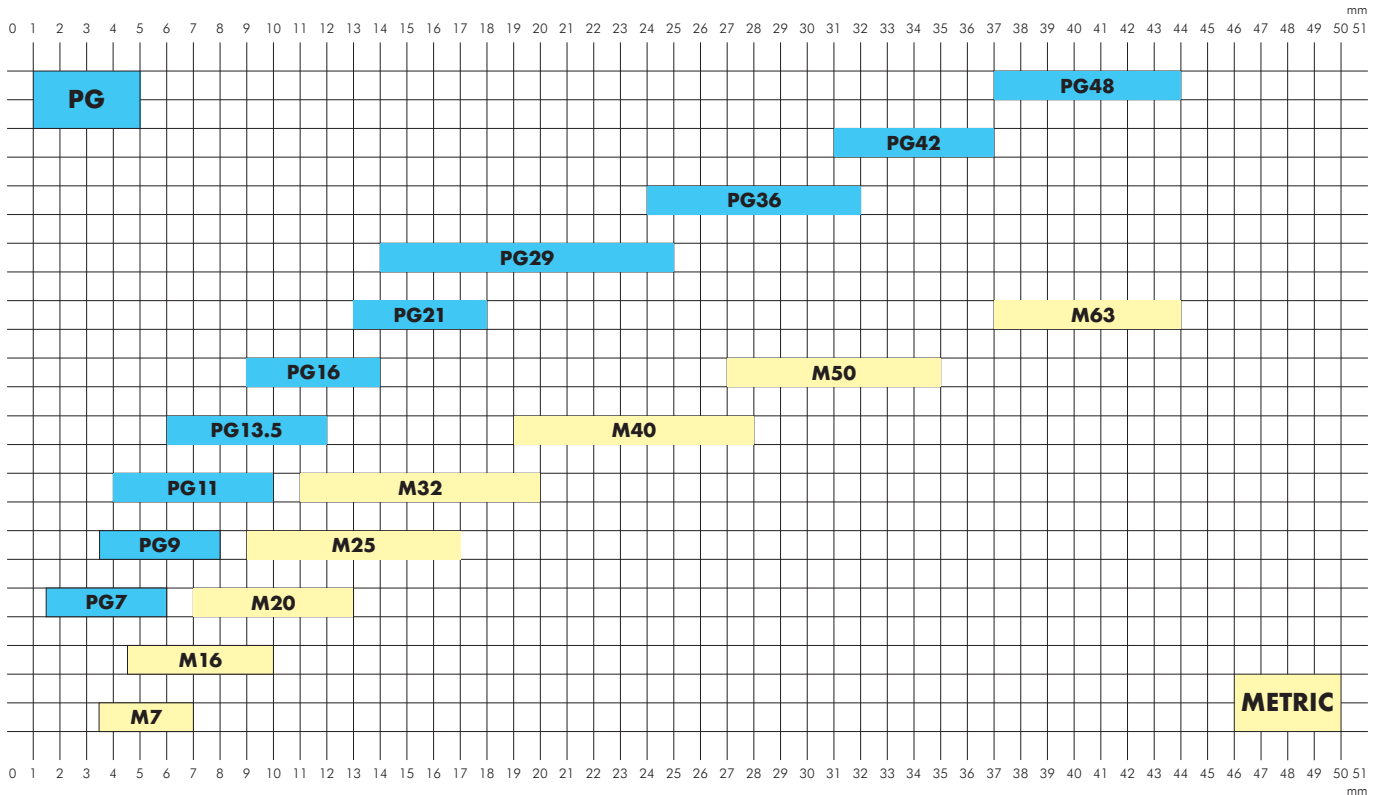


# Dimensional Data

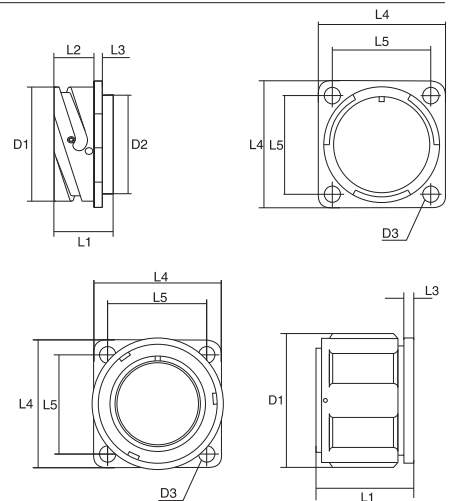
## Cable Dimension to be used with PG or Metric Glands



## Dimensional Data

Size	No. Pins	L1 mm	L2 mm 03 rear mount.	L3 mm	L4 mm	L5 mm	D1 mm	D2 mm	D3 mm
20	13	33.8	23	4	38	29.4	34.2	28.5	3.2
24	25	33.8	23	4	44.5	34.9	40.9	35.3	3.7
28	37	35.7	24	4	50.8	39.7	46.7	41.4	3.7
32	54	37.3	24	4	57	44.5	53.4	47.8	4.3
40	85/150/200	37.2	24	4	69.9	55.5	65.2	59	4.3

Size	No. Poles LKA	L1 mm	L3 mm	L4 mm	L5 mm	D1 mm	D3 mm
20	13	38.6	4	38	29.4	42.5	3.2
24	25	41	4	44.5	34.9	50	3.7
28	37	41.8	4	50.8	39.7	57	3.7
32	54	44	4	57	44.5	64	4.3
40	85/150/200	45	4	69.9	55.5	75.5	4.3



## Pins

Contact Size	Max Current (Short time)	Rated and Test Current	Potential Drop Maximum	Used on Connectors:
20	7.5A	7.5A	83mV	LK 200; LKW M176, 39, 61
18	10A	7.5A	83mV	LK 150, 40/89
16	22A	13A	74mV	LK 09, 13, 19, 25, 37, 54, 85; LKW 39; LKH 16S-1, 28A-9, 28-22, 32-68, 40A-10
12	41A	23A	63mV	LK 08, 09, 48/6, 32/25, 40/58, 40/89; LKH 20-15, 24-2, 24-11, 28-10
8	73A	46A	65mV	LKH 24-11, 28-3, 28-10
4	135A	80A	58mV	LKH 28-6, 28A-9, 28-10, 28-22, 32-68, 40A10
0	245A	150A	53mV	

# Standard Wiring

4 ch - LK 13			
Ch	+	-	G
1	B	C	E
2	F	K	H
3	J	D	A
4	N	M	G
General ground			L

6 ch - LK 19			
Ch	+	-	G
1	B	C	A
2	E	F	D
3	H	J	G
4	L	M	K
5	P	R	N
6	T	U	S
General ground			V

8 ch - LK 25			
Ch	+	-	G
1	A	E	F
2	G	C	B
3	D	H	J
4	M	L	K
5	Q	P	N
6	W	S	R
7	T	X	Y
8	Z	V	U
General ground			a

12 ch - LK 37			
Ch	+	-	G
1	E	F	A
2	B	C	G
3	H	J	D
4	S	T	K
5	L	M	U
6	V	W	N
7	P	R	X
8	a	b	g
9	c	d	i
10	e	f	m
11	n	p	h
12	r	s	k
General ground			Z

16 ch - LK 54			
Ch	+	-	G
1	W	f	r
2	J	R	a
3	k	v	AC
4	E	M	V
5	e	q	y
6	B	H	P
7	Z	j	u
8	D	L	U
9	d	p	x
10	A	G	O
11	Y	h	t
12	C	K	T
13	c	n	w
14	F	N	X
15	g	s	AB
16	S	b	m
General ground			AG

28 ch - LK 85			
Ch	+	-	G
1	A	B	C
2	E	F	H
3	J	K	L
4	N	P	R
5	S	T	U
6	X	Y	Z
7	a	b	c
8	d	f	g
9	h	i	j
10	k	m	n
11	p	q	r
12	t	u	v
13	w	x	y
14	z	AA	AB
15	AC	AD	AE
16	AF	AH	AJ
17	AK	AL	AM
18	AP	AR	AS
19	AT	AU	AV
20	AW	AX	AY
21	AZ	BA	BB
22	BC	BD	BE
23	BJ	BK	BL
24	BM	BN	BP
25	BS	BT	BU
26	BV	BR	BF
27	BH	AN	s
28	W	M	D
General ground			V

48 ch - LK 150			
Ch	+	-	G
1	1	2	3
2	5	6	7
3	8	9	10
4	11	12	13
5	14	15	16
6	17	18	19
7	21	22	23
8	24	25	26
9	27	28	29
10	20	30	31
11	32	33	34
12	35	36	37
13	38	39	40
14	41	42	43
15	44	45	46
16	47	48	49
17	50	51	52
18	53	54	55
19	57	58	59
20	60	61	62
21	63	64	65
22	66	67	68
23	69	70	71
24	72	73	74
25	75	76	77
26	78	79	80
27	82	83	84
28	85	86	87
29	88	89	90
30	91	92	93
31	94	95	96
32	97	98	99
33	100	101	102
34	103	104	105
35	56	81	106
36	107	108	109
37	110	111	112
38	113	114	115
39	116	117	118
40	119	120	121
41	122	123	124
42	125	126	127
43	139	128	129
44	130	131	132
45	133	134	135
46	136	137	138
47	140	141	142
48	143	144	145
General ground			150

66 ch - LK 200			
Ch	+	-	G
1	A1	A2	A3
2	A4	A5	A6
3	B8	C10	C11
4	B7	B6	B5
5	B4	B3	B2
6	B1	C2	C1
7	C3	C4	C5
8	C7	C8	C9
9	D12	D11	D10
10	D9	D8	D7
11	D6	D5	D4
12	D3	D2	D1
13	F1	E1	E2
14	E3	E4	E5
15	E6	E7	E8
16	E9	E10	E11
17	E12	E13	F14
18	F13	F12	F11
19	F10	F9	F8
20	F7	F6	F5
21	F4	F3	F2
22	G1	G2	G3
23	G4	G5	G6
24	G7	G8	G9
25	G10	G11	G12
26	G13	G14	G15
27	H14	H13	H12
28	H11	H10	H9
29	H6	H5	H4
30	H3	H2	H1
31	L1	L2	L3
32	L4	L5	L6
33	H7	L7	M7
34	H8	L8	M8
35	L9	L10	L11
36	L12	L13	L14
37	M14	M13	M12
38	M11	M10	M9
39	M6	M5	M4
40	M3	M2	M1
41	N1	N2	N3
42	N4	N5	N6
43	N7	N8	N9
44	N10	N11	N12
45	N13	N14	N15
46	P13	P12	P11
47	P10	P9	P8
48	P7	P6	P5
49	P4	P3	P2
50	P1	R1	R2
51	R3	R4	R5
52	R6	R7	R8
53	R9	R10	R11
54	R12	R13	P14
55	S12	S11	S10
56	S9	S8	S7
57	S6	S5	S4
58	S3	S2	S1
59	T1	T2	U1
60	T3	T4	T5
61	T7	T8	T9
62	T11	T10	U8
63	U7	U6	U5
64	U4	U3	U2
65	V1	V2	V3
66	V4	V5	V6
General ground			T6

# Standard Wiring

Speaker - LK 08		
Ch	Red (+)	Black (-)
1	E	F
2	G	H
3	C	D
4	A	B

Speaker - LK 32/25		
Ch	Red (+)	Black (-)
1	A	B
2	C	D
3	E	F
4	G	H
5	I	J
6	K	L
7	M	N
8	O	P
9	Q	R
10	T	U
11	V	W
12	X	Y

Speaker - LK 48/6			
Ch	Red (+)	Black(-)	Ground
1	1	2	
2	3	4	
3	5	6	
4	7	8	
5	9	10	
6	11	12	
7	13	14	
8	15	16	
9	17	18	
10	19	20	
11	21	22	
12	23	24	
13	25	26	
14	27	28	
15	29	30	
16	31	32	
17	33	34	
18	35	36	
19	37	38	
20	39	40	
21	41	42	
22	43	44	
23	45	46	
24	47	48	
Audio1	A	B	C
Audio2	D	E	F

LKG 20/1E3								
Power	Brown	Yellow Green	Blue					
	L	G	N					
CAT6	White Orange	Orange	White Green	Blue	White Blue	Green	White Brown	Brown
E1	1	2	3	4	5	6	7	8

LKG 24/2E6								
Audio ch	+	-	G					
1	1	2	3					
2	4	5	6					
CAT6	White Orange	Orange	White Green	Blue	White Blue	Green	White Brown	Brown
E1	1	2	3	4	5	6	7	8
E2	1	2	3	4	5	6	7	8

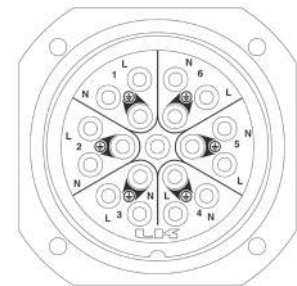
LKG 24/2E10								
Audio ch	+	-	G					
1	1	2	5					
2	3	4	6					
Power	Brown	Yellow Green	Blue	Shield				
	L	G	N	7				
CAT6	White Orange	Orange	White Green	Blue	White Blue	Green	White Brown	Brown
E1	1	2	3	4	5	6	7	8
E2	1	2	3	4	5	6	7	8

LKG 24/2E20								
Audio ch	+	-	G					
1	1	2	3					
2	4	5	6					
3	13	14	15					
4	7	8	9					
5	10	11	12					
6	16	17	18					
CAT6	White Orange	Orange	White Green	Blue	White Blue	Green	White Brown	Brown
E1	1	2	3	4	5	6	7	8
E2	1	2	3	4	5	6	7	8

LKG 28/2E36								
Audio ch	+	-	G					
1	1	2	3					
2	4	5	6					
3	7	8	9					
4	19	20	21					
5	22	23	31					
6	29	30	32					
7	10	11	12					
8	13	14	15					
9	16	17	18					
10	24	25	26					
11	27	28	36					
12	33	34	35					
CAT6	White Orange	Orange	White Green	Blue	White Blue	Green	White Brown	Brown
E1	1	2	3	4	5	6	7	8
E2	1	2	3	4	5	6	7	8

LKG 32/6E								
CAT6	White Orange	Orange	White Green	Blue	White Blue	Green	White Brown	Brown
E1	1	2	3	4	5	6	7	8
E2	1	2	3	4	5	6	7	8
E3	1	2	3	4	5	6	7	8
E4	1	2	3	4	5	6	7	8
E5	1	2	3	4	5	6	7	8
E6	1	2	3	4	5	6	7	8

LKS - 6 Lamps			
Ch	Fase	Neutral	Ground
1	1	2	13
2	3	4	14
3	5	6	15
4	7	8	16
5	9	10	17
6	11	12	18
General ground		19	



# Standard Wiring

12 ch - LKW39			
Ch	+	-	G
1	p	n	q
2	W	A	X
3	N	f	P
4	L	e	M
5	J	d	K
6	G	c	H
7	E	b	F
8	D	a	Z
9	C	B	Y
10	U	i	V
11	i	h	T
12	R	g	S

20 ch - LKW61			
Ch	+	-	G
1	JJ	HH	NN
2	MM	KK	PP
3	BB	AA	CC
4	s	FF	W
5	r	EE	V
6	e	D	x
7	f	E	y
8	q	DD	U
9	S	p	T
10	P	N	R
11	m	k	n
12	L	K	M
13	J	i	j
14	H	G	h
15	g	F	z
16	d	C	W
17	B	A	c
18	b	a	Z
19	v	u	Y
20	t	GG	X

58 ch - LKI M176 (input)				
Ch		+	-	G
1	S	87	88	86
2	P	87	88	86
3	S	84	85	83
4	P	84	85	83
5	S	81	82	80
6	P	81	82	80
7	S	78	79	77
8	P	78	79	77
9	S	75	76	74
10	P	75	76	74
11	S	72	73	71
12	P	72	73	71
13	S	69	70	68
14	P	69	70	68
15	S	66	67	65
16	P	66	67	65
17	S	62	63	61
18	P	62	63	61
19	S	59	60	58
20	P	59	60	58
21	S	56	57	55
22	P	56	57	55
23	S	53	54	52
24	P	53	54	52
25	S	50	51	49
26	P	50	51	49
27	S	47	48	46
28	P	47	48	46
29	S	44	45	43
30	P	44	45	43
31	S	41	42	40
32	P	41	42	40
33	S	38	39	37
34	P	38	39	37
35	S	33	34	32
36	P	33	34	32
37	S	30	31	29
38	P	30	31	29
39	S	27	28	26
40	P	27	28	26
41	S	24	25	23
42	P	24	25	23
43	S	19	20	18
44	P	19	20	18
45	S	16	17	15
46	P	16	17	15
47	S	13	14	12
48	P	13	14	12
49	S	9	10	8
50	P	9	10	8
51	S	6	7	5
52	P	6	7	5
53	S	21	22	11
54	P	21	22	11
55	S	2	3	1
56	P	2	3	1
57	S	35	36	64
58	P	35	36	64
General ground		4		

58 ch - LKI M176 (output)				
Ch		+	-	G
1	P	87	88	86
2	S	87	88	86
3	P	84	85	83
4	S	84	85	83
5	P	81	82	80
6	S	81	82	80
7	P	78	79	77
8	S	78	79	77
9	P	75	76	74
10	S	75	76	74
11	P	72	73	71
12	S	72	73	71
13	P	69	70	68
14	S	69	70	68
15	P	66	67	65
16	S	66	67	65
17	P	62	63	61
18	S	62	63	61
19	P	59	60	58
20	S	59	60	58
21	P	56	57	55
22	S	56	57	55
23	P	53	54	52
24	S	53	54	52
25	P	50	51	49
26	S	50	51	49
27	P	47	48	46
28	S	47	48	46
29	P	44	45	43
30	S	44	45	43
31	P	41	42	40
32	S	41	42	40
33	P	38	39	37
34	S	38	39	37
35	P	33	34	32
36	S	33	34	32
37	P	30	31	29
38	S	30	31	29
39	P	27	28	26
40	S	27	28	26
41	P	24	25	23
42	S	24	25	23
43	P	19	20	18
44	S	19	20	18
45	P	16	17	15
46	S	16	17	15
47	P	13	14	12
48	S	13	14	12
49	P	9	10	8
50	S	9	10	8
51	P	6	7	5
52	S	6	7	5
53	P	21	22	11
54	S	21	22	11
55	P	2	3	1
56	S	2	3	1
57	P	35	36	64
58	S	35	36	64
General ground		4		

## Metric<sup>2</sup>/AWG Wire Size Equivalentents

In Europe, wire and cables are expressed in mm<sup>2</sup> (cross sectional area), while in USA the AWG (American Wire Gauge) is the standard system used for both solid and strand conductors. See the cross reference scheme below.

AWG	32	30	28	26	24	22	21	20	18	17	16	14	13	12	11	10	8	6	4	2	1	2/0	3/0	4/0
mm <sup>2</sup>	0.032	0.051	0.081	0.13	0.20	0.33	0.41	0.52	0.82	1.04	1.31	2.08	2.62	3.31	4.17	5.26	8.37	13.3	21.2	33.6	42.4	67.4	85	107

Cross references refer to solid copper wire. For stranded conductors a range of values must be considered i.e. AWG 24 stranded conductors are comprised between a range of 0.20 mm<sup>2</sup> and 0.24 mm<sup>2</sup>.

## Conductor Resistance

mm <sup>2</sup>	0.03	0.05	0.08	0.14	0.22	0.34	0.38	0.50	0.75	1.50	2.50	4.00
Ohm/km	578	350	232	146	76.40	55	44	34.50	23	14.70	8.80	4.50

## Capacity Reference Table for **eurocable** Reels

Cable O.D.(mm)	4	6	8	10	12	15	18	20	22	24	26	28	30	32
AV AX100	250	111	63	40	28									
AV SP380	731	325	183	117	81	52	36	29						
AV SP450			227	145	101	64	45	36	30	25				
AV SK460				180	125	80	56	45	37	31	27			
AV GT310RM	398	166	84	64	39	22								
AV GT380RM	740	319	170	114	82	43	29	24						
AV HD260				246	171	109	76	62	51	43	36	31	27	24
AV HD350					231	148	102	83	69	58	49	42	37	32
AV HD500						211	146	119	98	82	70	60	53	46
AV HD600											140	120	105	92
AV HD600 R											100	90	75	65

Capacity table for cable reels, based on O.D. of the cable used. Measure the O.D. (mm) of your cable to choose the appropriate cable reel. The above values are expressed in meters.